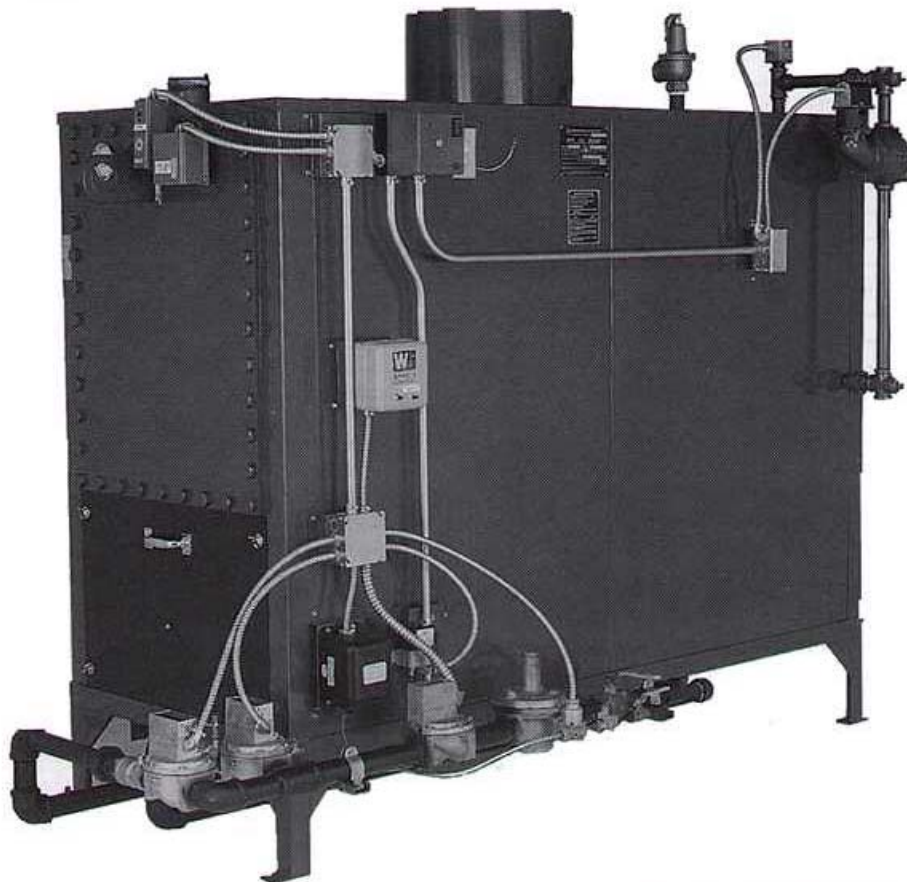


WATER HEATING BOILER ATMOSPHERIC NATURAL GAS FIRED



**H
I
G
H

E
F
F
I
C
I
E
N
C
Y**

RITE ENGINEERING AND MANUFACTURING CORPORATION
9441 WASHBURN ROAD, DOWNEY, CALIFORNIA 90242
TEL. (562) 862-2135 • FAX (562) 861-9821



HOT WATER BOILERS - ATMOSPHERIC - 83% HIGH EFFICIENCY

STANDARD EQUIPMENT

- UL LISTED
- CSD-1
- M SERIES II OR RM 7890 FLAME SAFEGUARD
- ELECTRIC IGNITION
- 120/60/1 CONTROLS
- DRILLED PORT ATMOSPHERIC BURNERS
- FIRESIDE INSPECTION PORTS
- FIRING SEQUENCE: 48E-200E ON-OFF
A150E-A200E, 225-750E LOW/HIGH/LOW
840E-1250E LOW/MEDIUM/HIGH
- PREPIPED GAS TRAIN & PILOT
- LEAK TEST COCKS
- HIGH LIMIT CONTROL
- OPERATING CONTROL
- ASME 30# STAMPED
- ASME RELIEF VALVE
- SEPARATE BOTTOM DRAIN CONNECTION
- AIR ELIMINATION FITTING
- PRESSURE & TEMPERATURE GAUGE
- RITE 12 MONTH PARTS WARRANTY
- RITE THERMAL SHOCK WARRANTY
- LIFTING LUGS
- BAROMETRIC DAMPER

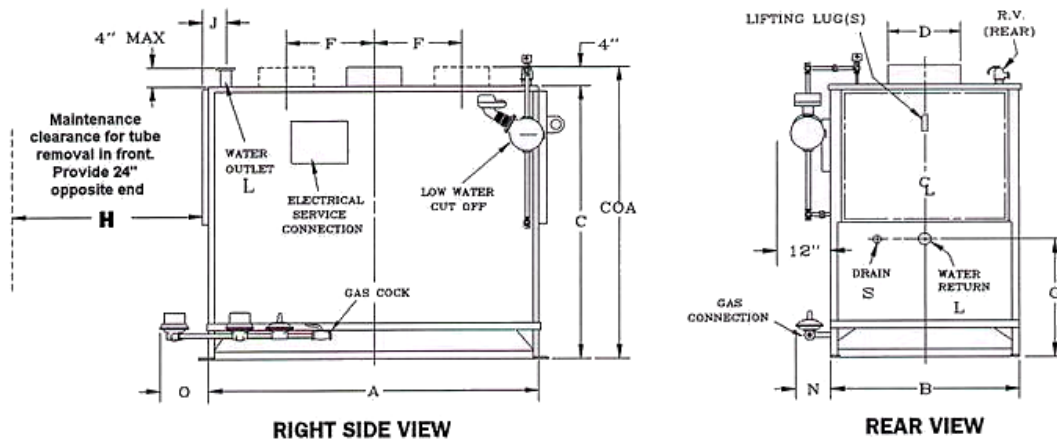
OPTIONAL EQUIPMENT (EXTRA COST)

- 6 LIGHT PANEL (RITE LITE)
- 12 LIGHT PANEL (ATTLE TALE)
- I.R.I., F.M., MIL. SPECS., ETC.
- ASME 125, 150 OR 160# STAMPED
- HINGED HEAD PLATES
- INSULATED HEAD PLATES
- HAND HOLES
- EXTERNAL HEAT EXCHANGER MOUNTED PIPED & WIRED
COMPLETE WITH CIRCULATING PUMP
- EXPANSION TANK
- COPPER TUBES & ANODES
- MODULATION FIRING
- PROPANE FIRED (CONSULT FACTORY)
- INDUCED DRAFT FAN & DRAFT INTERLOCK
- FLUE GAS THERMOMETER MOUNTED
- MULTISTAGE BOILER CONTROLLERS

GENERAL DATA

MODEL	Input BTU/HR x1000	Output BTU/HR x1000	H.P.	G.P.M.* 20" Rise	G.P.H.* 100" Rise	Water Content Gallons	Surface Heating Sq. Ft	Shipping Wt.
48E	480	399	11.9	40	478	33	78	1300
55E	550	457	13.6	46	548	36	90	1520
63E	630	523	15.6	52	627	39	102	1640
76E	760	631	18.8	63	756	44	122	1800
A90E	900	747	22.3	75	896	50	145	2050
85E	850	706	21.1	70	846	61	133	2100
90E	900	747	22.3	75	896	61	133	2100
105E	1050	872	26	87	1045	66	154	2250
120E	1200	996	29.7	100	1194	72	176	2400
135E	1350	1121	33.4	112	1344	77	200	2550
150E	1500	1245	37.2	124	1493	83	221	2700
A150E	1500	1245	37.2	124	1493	105	233	3050
165E	1650	1370	40.9	137	1642	89	243	2850
A165E	1650	1370	40.9	137	1642	111	249	3200
180E	1800	1494	44.6	149	1791	95	267	3000
A180E	1800	1494	44.6	149	1791	118	282	3450
200E	2000	1660	49.6	166	1990	103	295	3250
A200E	2000	1660	49.6	166	1990	124	304	3700
225E	2250	1868	55.8	187	2239	132	336	3900
250E	2500	2075	62	207	2488	140	370	4150
275E	2750	2283	68.2	228	2737	150	401	4400
300E	3000	2490	74.4	249	2986	158	435	4650
325E	3250	2698	80.6	270	3234	167	469	4950
350E	3500	2905	86.8	290	3483	175	502	5200
375E	3750	3113	93	311	3732	184	534	5450
400E	4000	3320	99.2	332	3981	192	566	5700
A400E	4000	3320	99.2	332	3981	264	586	6950
425E	4250	3528	105.4	352	4230	201	599	5950
450E	4500	3735	111.6	373	4478	210	633	6250
A450E	4500	3735	111.6	373	4478	292	662	7500
475E	4750	3943	117.8	394	4727	220	660	6500
500E	5000	4150	124	415	4976	229	700	6750
A500E	5000	4150	124	415	4976	314	734	8050
550E	5500	4565	136.4	456	5474	289	748	7700
A550E	5500	4565	136.4	456	5474	363	806	8550
600E	6000	4980	148.8	498	5971	318	835	8300
A600E	6000	4980	148.8	498	5971	363	877	9100
A650E	6500	5395	161.2	539	6469	351	879	8800
650E	6500	5395	161.2	539	6469	389	951	9700
A700E	7000	5810	173.6	580	6966	371	960	9300
700E	7000	5810	173.6	580	6966	420	1021	10300
A750E	7500	6225	186.0	622	7464	393	1030	9900
750E	7500	6225	186.0	622	7464	441	1097	10850
840E	8400	6972	208.3	697	8360	505	1183	11150
940E	9400	7802	233.1	780	9355	544	1332	11900
1050E	10500	8715	260.4	871	10450	583	1482	12750
1150E	11500	9545	285.2	954	11450	612	1631	13500
1250E	12500	10375	310.0	1037	12440	661	1780	14400

* Pressure drop for all models is less than 3 feet of water, or 1.3 psi.



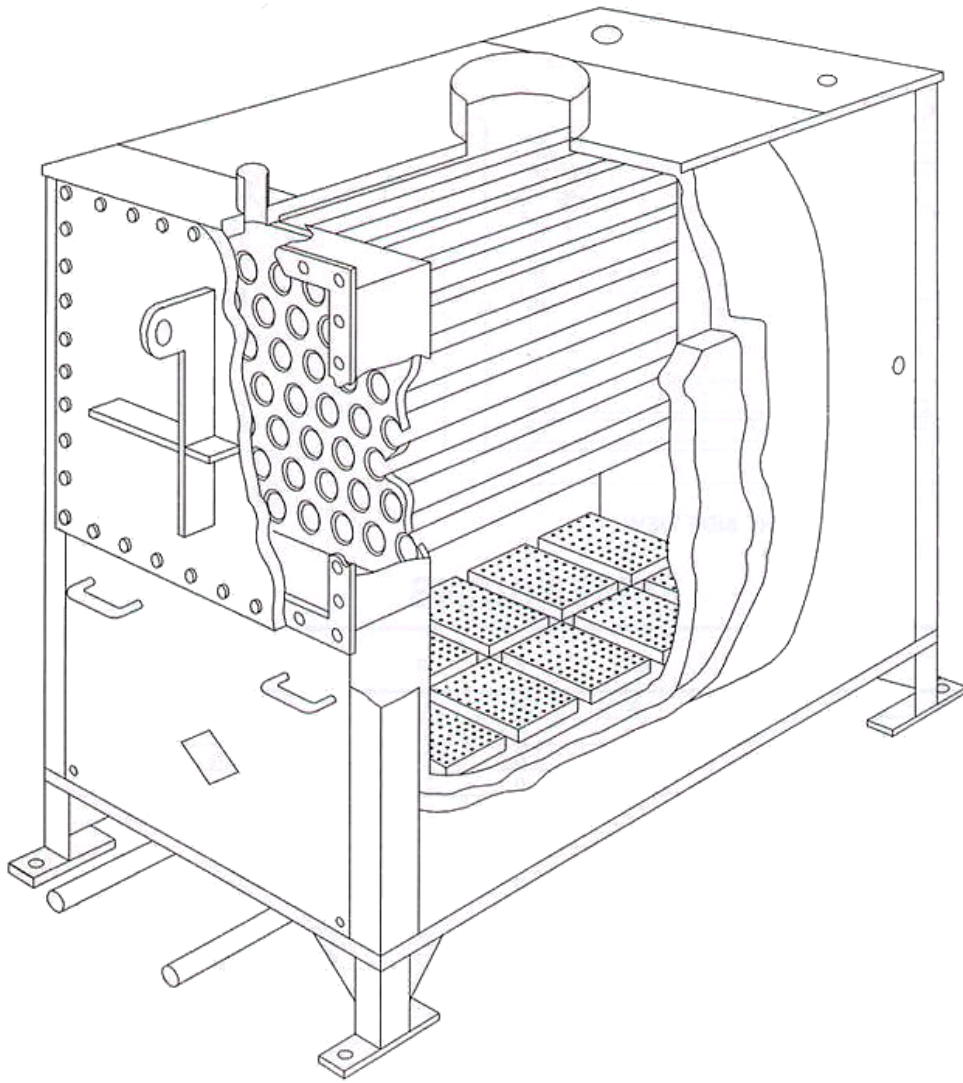
DIMENSIONS

MODEL	A	B	C	COA	D**	F	G	H	J	L***	N	O	S
48E	40	26	57	61	9	0	26	32	2 1/2	2	10	10	1
55E	45	26	57	61	10	0	26	37	2 1/2	2	10	10	1
63E	50	26	57	61	10	0	26	42	2 1/2	2	10	10	1
76E	58	26	57	61	12	0	26	50	2 1/2	2	10	10	1
A90E	68	26	57	61	12	0	26	60	2 1/2	2	10	10	1
85E	46	32	63	67	12	0	26	36	2 5/8	3	12	18	1 1/4
90E	46	32	63	67	12	0	26	36	2 5/8	3	12	18	1 1/4
105E	52	32	63	67	14	0	26	42	2 5/8	3	12	18	1 1/4
120E	58	32	63	67	14	0	26	48	2 5/8	3	12	18	1 1/4
135E	64	32	63	67	16	0	26	54	2 5/8	3	12	18	1 1/4
150E	70	32	63	67	16	0	26	60	2 5/8	3	12	18	1 1/4
A150E	55	42	69	73	16	0	26	42	3 1/2	4	14	20	1 1/2
165E	76	32	63	67	16	0	26	66	2 5/8	3	12	18	1 1/4
A165E	59	42	69	73	16	0	26	46	3 1/2	4	14	20	1 1/2
180E	82	32	63	67	2-12	18	26	72	2 5/8	3	12	18	1 1/4
A180E	65	42	69	73	18	0	26	52	3 1/2	4	14	20	1 1/2
200E	90	32	63	67	2-14	20	26	80	2 5/8	3	12	18	1 1/4
A200E	69	42	69	73	20	0	26	56	3 1/2	4	14	20	1 1/2
225E	73	42	69	73	20	0	26	60	3 1/2	4	16	24	1 1/2
250E	79	42	69	73	20	0	26	66	3 1/2	4	16	24	1 1/2
275E	85	42	69	73	2-16	18	26	72	3 1/2	4	16	24	1 1/2
300E	91	42	69	73	2-16	19	26	78	3 1/2	4	16	24	1 1/2
325E	97	42	69	73	2-16	21	26	84	3 1/2	4	16	24	1 1/2
350E	103	42	69	73	2-18	22	26	90	3 1/2	4	16	24	1 1/2
375E	109	42	69	73	2-18	24	26	96	3 1/2	4	16	24	1 1/2
400E	115	42	69	73	2-18	25	26	102	3 1/2	4	16	24	1 1/2
A400E	79	63	79	83	22	0	28	55	4 3/4	4	16	24	2
425E	121	42	69	73	2-18	27	26	108	3 1/2	4	16	24	1 1/2
450E	127	42	69	73	2-20	28	26	114	3 1/2	4	16	24	1 1/2
A450E	87	63	79	83	24	0	28	65	4 3/4	4	16	24	2
475E	122	42	69	73	2-20	30	26	120	3 1/2	4	16	24	1 1/2
500E	139	42	69	73	2-20	31	26	126	3 1/2	4	16	24	1 1/2
A500E	95	63	79	83	26	0	28	72	4 3/4	4	16	24	2
550E	109	51	79	83	2-20	23	26	96	3 1/2	4	16	28	2
A550E	102	63	79	83	26	0	28	80	4 3/4	4	16	28	2
600E	118	51	79	83	2-22	25	26	105	3 1/2	4	16	28	2
A600E	109	63	79	83	2-20	23	28	85	4 3/4	4	16	28	2
A650E	129	51	79	83	2-22	28	26	114	4	5	16	28	2
650E	117	63	79	83	2-22	24	28	92	4 3/4	5	16	28	2
A700E	138	51	79	83	2-22	30	26	123	4	5	16	28	2
700E	124	63	79	83	2-22	26	28	100	4 3/4	5	16	28	2
A750E	147	51	79	83	2-24	32	26	132	4	5	16	28	2
750E	132	63	79	83	2-24	28	28	108	4 3/4	5	16	28	2
840E	115	77	79	83	2-24	23	27	87	5	6	16	28	2
940E	128	77	79	83	2-24	26	27	100	5	6	16	28	2
1050E	140	77	79	83	2-26	29	27	111	5	6	16	28	2
1150E	152	77	79	83	2-26	32	27	123	5	6	16	28	2
1250E	164	77	79	83	2-26	35	27	135	5	6	16	28	2

**All models are supplied with barometric damper(s) for field installation. Minimum stack height required is 5' straight up.

*** Over 4" plumbing connections are flanged

All dimensions in inches; Subject to change without notice.



WARRANTY: RITE Engineering and Manufacturing Corporation warrants boilers of its manufacture and bearing its nameplate, when not misused or neglected, to be free from defects in workmanship or material. The company's obligation under this warranty is limited to repairing or replacing at its factory any device or part thereof which shall, within one year after delivery to the original purchaser, be returned to the factory, transportation charges prepaid, and which on examination shall prove to have been defective. The company assumes no liability for consequential damages of any kind; the purchaser by acceptance of this equipment shall assume all liability for the consequences of its use or misuse by the purchaser, his employees, or others. A defect in the meaning of this warranty, in any part of said equipment, shall not, when such part is capable of being repaired or replaced, operate to condemn such equipment. This warranty is expressly in lieu of other warranties, obligations or liabilities, expressed or implied by the company or its representatives. All statutory or implied warranties, other than title, are hereby expressly negated and excluded.